



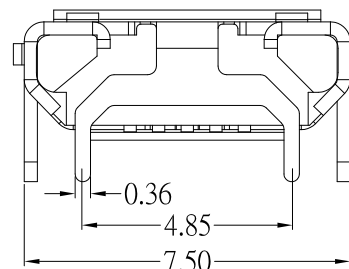
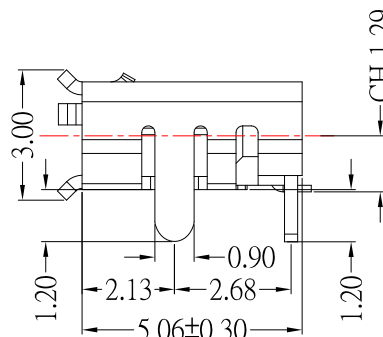
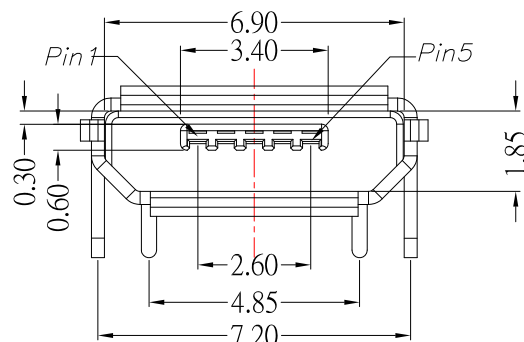
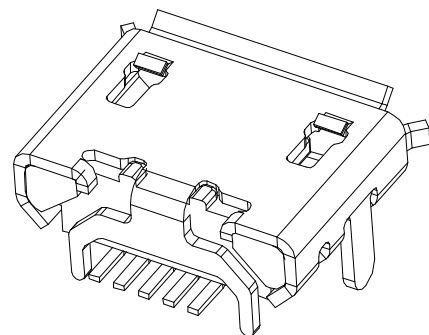
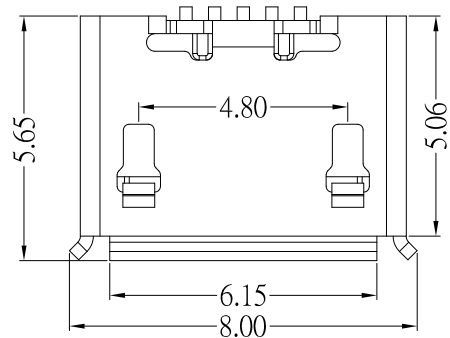
MRUSB-5B-D3x-S347

Pin Assignments

Contact No.	Signal Name
1	VBUS
2	D-
3	D+
4	ID
5	GND

SHELL鍍層:

TN
NI



NOTES:

MATERIAL:

- 1.1 HOUSING: LCP,UL94V-0
- 1.2 CONTACT: PHOSPHOR BRONZE
- 1.3 SHELL: BRASS

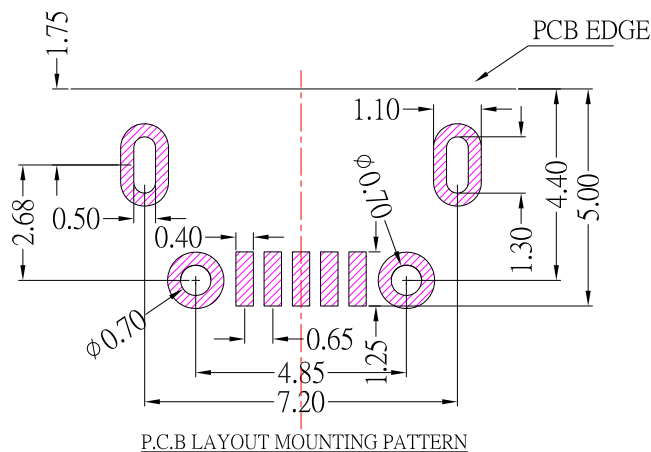
Finish:

- 2.1 Contact: Plated Gold in Mating Area ;
Gold Plated on Solder Balls
Nickel under plated overall

- 2.2 Shell: Nickel or Tin under Plated surface layer

3.SPECIFICATION:

- 3.1 CURRENT RATING: 1.0 A MAX
- 3.2 DIELECTRIC WITHSTANDING VOLTAGE: 100 V(ac) FOR 1min
- 3.3 CONTACT RESISTANCE: 50 mΩ MAX.
- 3.4 INSULATION RESISTANCE: 100 MΩ MIN.
- 3.5 TOTAL MATING FORCE: 3.57 Kgf MAX.
- 3.6 TOTAL UNMATING FORCE: 1.0 Kgf MIN.
- 3.7 TEMPERATURE RANGE: -30°C ~ +80°C



6	新增尺寸	Jack	071922
5	新增PIN定義	Jack	071122
4	刪除尺寸	Jack	022321
3	新增PCB LAYOUT尺寸	Jack	052220
2	更新材質	Jack	033117
1	新增尺寸	Jack	101916
ITEM NO.	DESCRIPTION	DRAWN	DATE



TOLERANCE UNLESS OTHERWISE STATED:	Up to 5 ±0.2	3RD. ANGEL'S	UNITS	MM
	Above 5 ~ 15 ±0.3			
	Above 15 ~ 30 ±0.4			
	Above 30 ~ 50 ±0.5			
	Angle ±0.3°			

DRAWN BY:	DATE	MAT'L	TITLE	CONNECTOR
Jack Lu	07/19/22			
CHECKED BY:	DATE	FINISH	MODLE	MICRO USB 4 腳全插(牛角型) 無柱 腳距2.68 腳長 1.2mm
Jacky Chen	07/19/22			
APPROVED BY:	DATE	SCALE	DWG NO.	MRUSB-5B-D3x-S347
Tony Kao	07/19/22	1 : 1	PART NO.	MRUSB-5B-D3x-S347
		SHEET NO.	1 of 1	SIZE A4
				VER R6